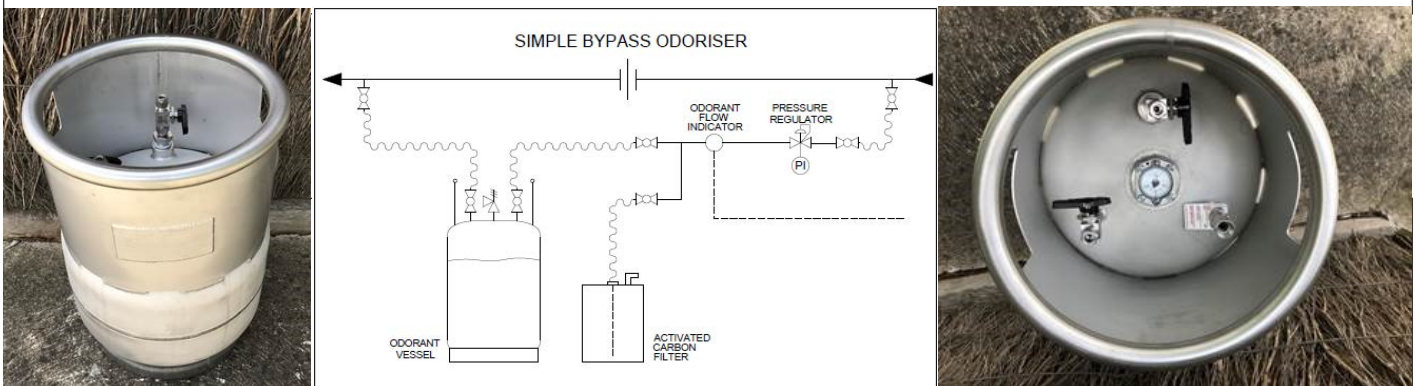


**International Chemicals Engineering (I.C.E) offer a range bypass odorisers specifically designed for Gas Odorant applications in Australia & New Zealand.**

**The Bypass odoriser has been developed to offer a system that offers complete flexibility that can easily be expanded with options depending on the level of control and reporting required. Or supplied as a simple fixed control system. Advantages of the Bypass Odoriser are Simplicity, Portability, Easy to Use & Low Capital Investment.**



**Bypass odorant injection systems eliminate the problem of odorant escape from chemical injection (pump) systems as the addition of odorant into the pipeline is via saturated gas taken from a high pressure source upstream of the same natural gas stream. This gas is only odorant saturated after it has passed through the Bypass odoriser.**

**Odorant control rate is performed by the use of a manually adjustable needle valve on the outlet of the vessel. Remote control can be obtained by installing an actuated valve on the by pass line**

**I.C.E standard & customised bypass odorisers consist of an Odorant storage vessel which includes:**

- Relief Valve
- QC hose connections
- TFE braided hoses
- Pressure gauge
- Mechanical level gauge
- Constructed to AS 1210.

**For further product specifications or enquiries, please contact us at [info@iceng.net.au](mailto:info@iceng.net.au) or 03 9792 4844**